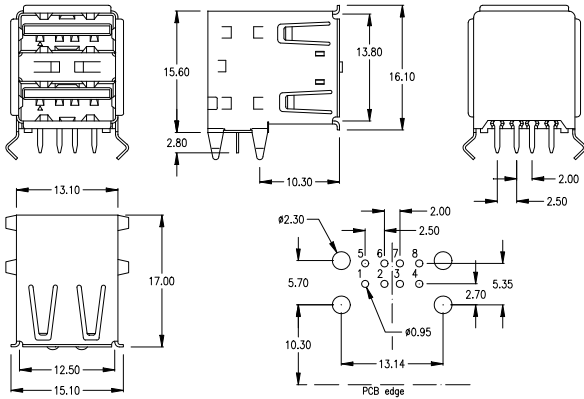


# USS Series Multi Port USB Connector Type „A”

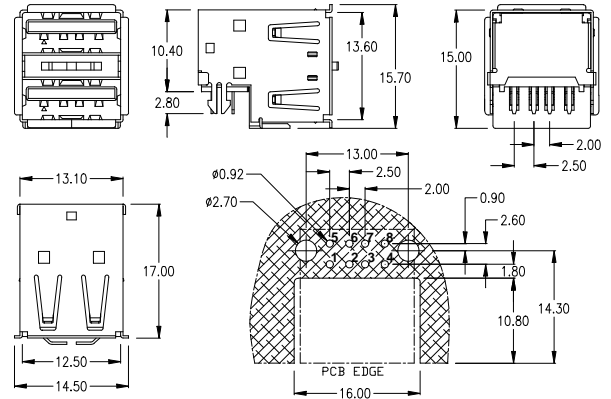


## dual port right angle; soldertail



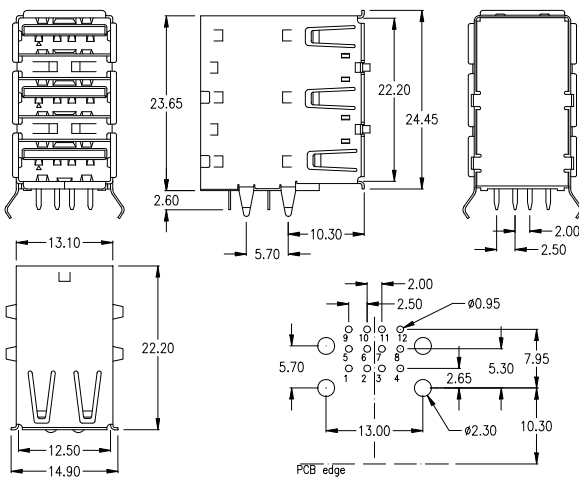
ORDER CODE: **USS - W08 - RA02 - 95** (standard)  
**USS - W08 - RA22 - 98** (USB 2.0 corresponding)  
 (- B08 - if black housing)

## dual port "low profile" right angle; soldertail



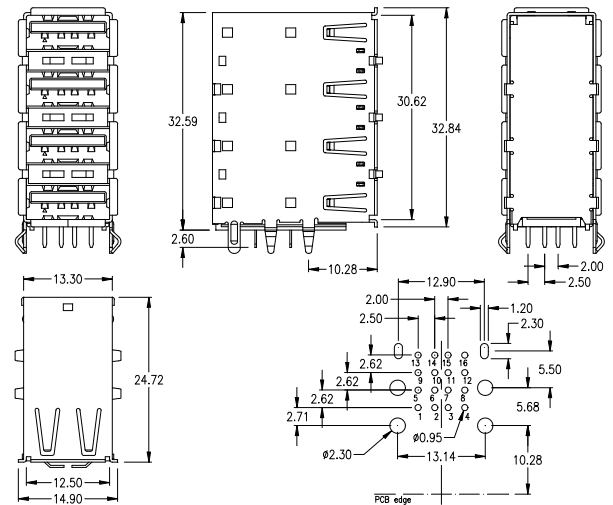
ORDER CODE: **ULS - W08 - RA02 - 95** (standard)  
**ULS - W08 - RA22 - 98** (USB 2.0 corresponding)  
 (- B08 - if black housing)

## triple port right angle; soldertail



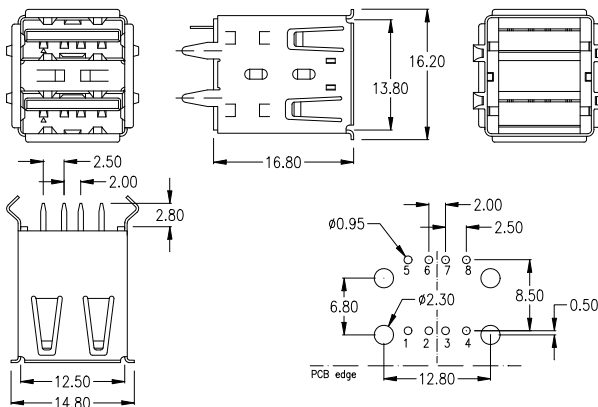
ORDER CODE: **USS - B12 - RA03 - 95** (standard)  
**USS - B12 - RA23 - 98** (USB 2.0 corresponding)  
 (- W12 - if white housing)

## quad port right angle; soldertail



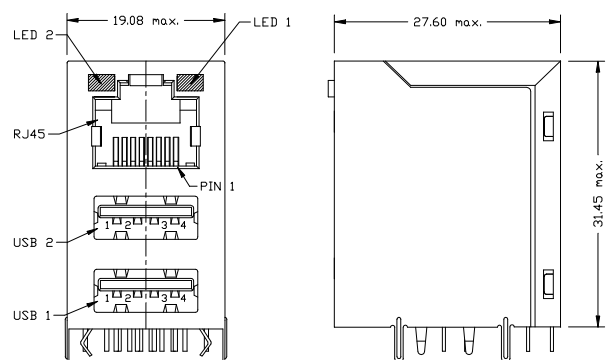
ORDER CODE: **USS - B16 - RA04 - 95** (standard)  
**USS - B16 - RA24 - 98** (USB 2.0 corresponding)  
 (- W16 - if white housing)

## dual port "top entry"; soldertail



ORDER CODE: **USS - W08 - TA02 - 95** (standard)  
**USS - W08 - TA22 - 98** (USB 2.0 corresponding)  
 (- B08 - if black housing)

## USB / RJ45 Combi Multi Port



E-tec also offers a USB / RJ45 Combi Multi Port as TX filtered transformer type with integrated LED. Datasheets of the different available variations can be obtained on [www.e-tec.com](http://www.e-tec.com) or from your closest E-tec sales office.

## Specification

Material	
Contact	(RoHS compliant) Phosphor Bronze
Plating:	
Contact area	Au flash over Ni (Std. USB) Au 30µ" over Ni (USB 2.0 corresponding)
Solder area	Sn (leadfree)
Housing	(RoHS compliant) PBT UL 94-V0
Shell	(RoHS compliant) Brass, 80µ"-120µ" Ni plated
Mechanical	
Mating cycles	1.500 min.

Electrical	
Current rating	1,5 A max. 1 Contact (Signal only)
Voltage rating	30V AC (rms)
Withstanding voltage	750V AC (rms) 1 Minute (Std. USB) 500V AC (rms) 1 Minute (USB 2.0)
Insulation resistance	1.000MΩ min. (500V DC)
Contact resistance	30mΩ max.
Others	
Operating temperature	-30° C to +75° C