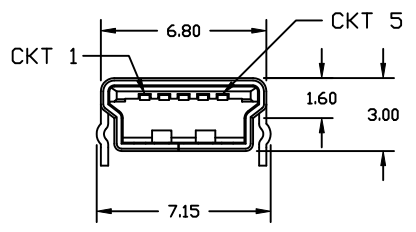


6		7		8	
REV.	LOCAS.	DESCRIPTION		DATE	DRAWN
A	NEW			13.07.2009	RH

ORDER CODE
UMP-B05-SB02-98/R

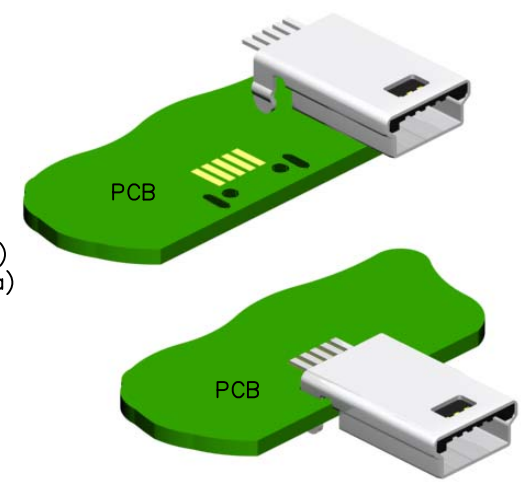


Housing Colour
 Black (standard) = **B**
 others on request

Option
 no suffix = Tube packing (standard)
R = reel packing

USB Type
1-95 = USB Type 1.x (Au flash on contact area)
2-98 = USB Type 2.0 (Au 30µ" on contact area)

Execution
0 = kinked grounding pins (standard)
1 = straight grounding pins (on request)



Material

Contact:	PhBz
Plating:	
Contact area	Contact area Au over Ni
Solder area	Sn over Ni
Housing	Nylon 6T UL 94-V0
Shell	Steel 80µ"-120µ" Ni plated

Electrical

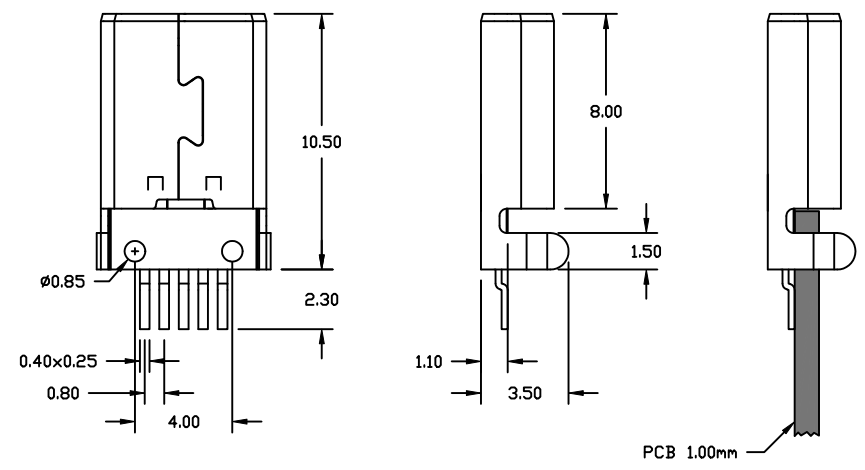
Current rating	1A
Voltage rating	AC 30V (rms)
Withstanding voltage	100V AC (rms) 1 Minute
Insulation resistance	100MΩ min. (500V DC)
Contact resistance	50mΩ max.

Mechanical

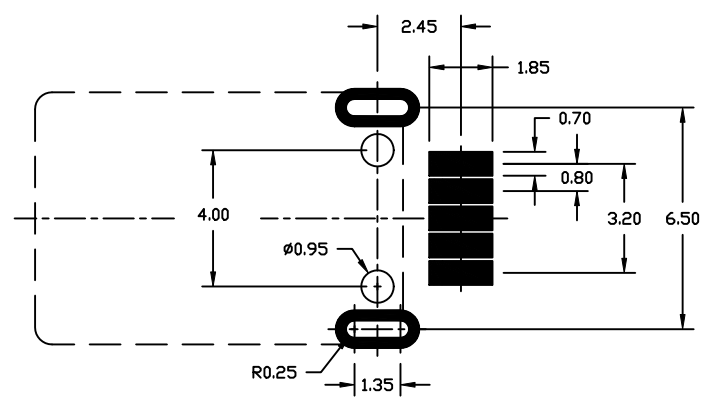
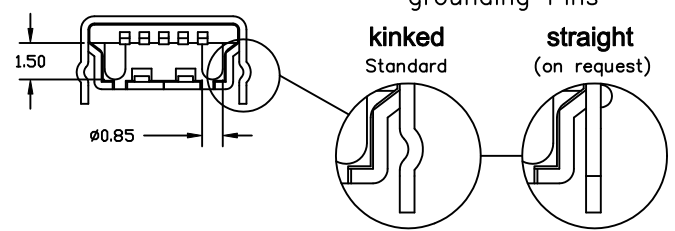
Mating cycles	5.000 min.
---------------	------------

Others

Operating temp.	-40°C to +85°C
Processing temp.	+230°C for 30 sec. max. +260°C for 10 sec. max.



Execution grounding Pins



RECOMMENDED PCB LAYOUT



UNIT mm	GENERAL TOLERANCE		DRAWN Ronny	DATE 13.07.2009	DWG. NO. UMP-SBxx	SHEET 1/1							
	SCALE Free	X.° ±					X. ±	CHECK Oliver	DATE 13.07.2009	REV. A			
		.XX° ±					.XX ± 0.30				APPROVE Hagl	DATE 20.10.2009	SERIES NO. UMP-Bxx-SBxx-xx/X
		.XXX ± 0.150					Ang. ± 2°						

**USB Plug -SMT-
 Mini Type "B" 5-Pin
 correspond to USB 1.x & 2.0**