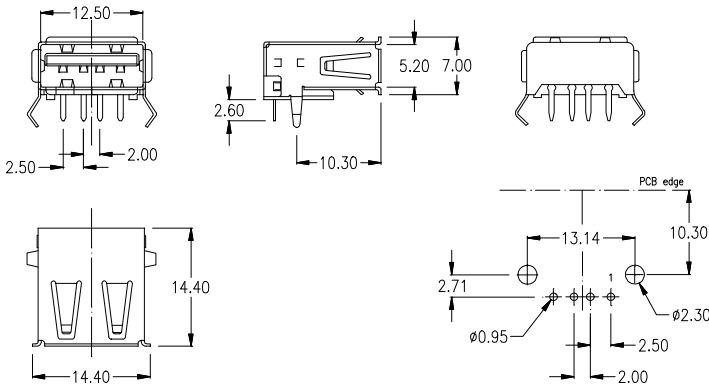
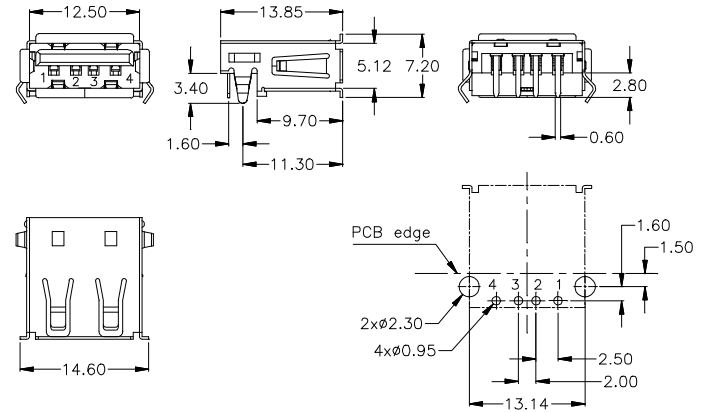


**single port right angle; soldertail**



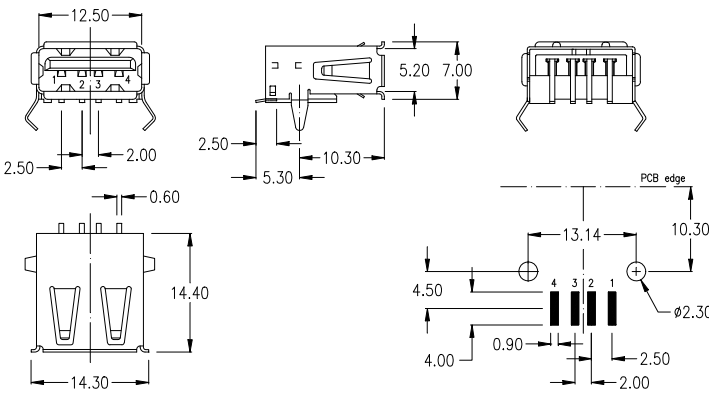
**ORDER CODE:**  
 USB 1.0 corresponding **USS - W04 - RA01 - 95** (- B04 - if black housing)  
 USB 2.0 corresponding **USS - W04 - RA21 - 98** (- B04 - if black housing)

**“low profile” single port right angle; soldertail**



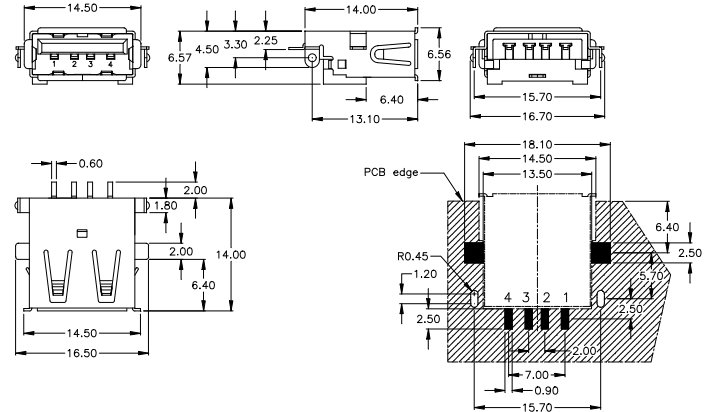
**ORDER CODE:**  
 USB 1.0 corresponding **ULS - W04 - RAS0 - 95** (- B04 - if black housing)  
 USB 2.0 corresponding **ULS - W04 - RAS2 - 98** (- B04 - if black housing)

**single port right angle; SMT**



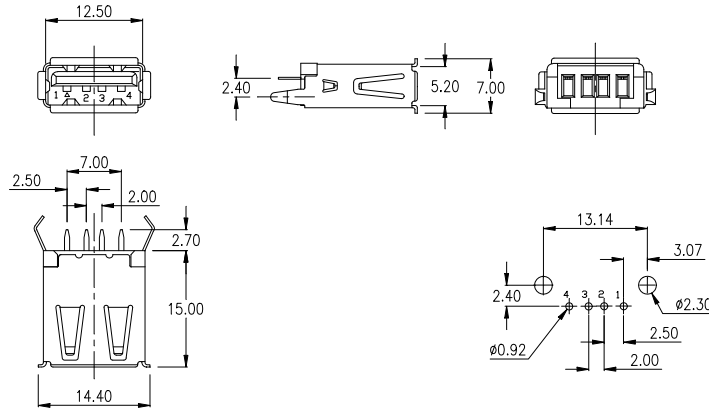
**ORDER CODE:**  
 USB 1.0 corresponding **USS - W04 - SAS0 - 95** (- B04 - if black housing)  
 USB 2.0 corresponding **USS - W04 - SAS2 - 98** (- B04 - if black housing)  
 Please contact your closest E-tec sales office for order code if reel packaging is required.

**“low profile” single port right angle; SMT**



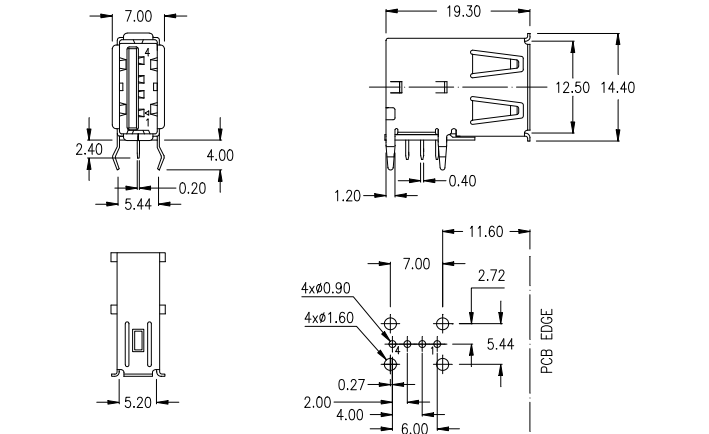
**ORDER CODE:**  
 USB 1.0 corresponding **ULS - W04 - SAS0 - 95** (- B04 - if black housing)  
 USB 2.0 corresponding **ULS - W04 - SAS2 - 98** (- B04 - if black housing)  
 Please contact your closest E-tec sales office for order code if reel packaging is required.

**single port top entry; soldertail**



**ORDER CODE:**  
 USB 1.0 corresponding **USS - W04 - TA01 - 95** (- B04 - if black housing)  
 USB 2.0 corresponding **USS - W04 - TA21 - 98** (- B04 - if black housing)

**single port vertical; soldertail „one line foot”**



**ORDER CODE:**  
 USB 1.0 corresponding **USS - W04 - VA01 - 95** (- B04 - if black housing)  
 USB 2.0 corresponding **USS - W04 - VA21 - 98** (- B04 - if black housing)

**Specification**

**Material**

Contact	(RoHS compliant)	Phosphor bronze
Plating:	Contact area	Au flash over Ni (USB 1.0 corresponding) Au 30µ" over Ni (USB 2.0 corresponding)
	Solder area	Sn (leadfree)
Housing	(RoHS compliant)	PBT white UL 94-V0 (PBT black on request)
SMT Housing	(RoHS compliant)	Nylon 9T UL 94-V0
Shell	(RoHS compliant)	brass, 80µ"-120µ" Ni plated

**Mechanical**

Mating cycles	1.500 min.
---------------	------------

**Electrical**

Current rating	1.5 A max. 1 Contact (Signal only)
Voltage rating	30V AC (rms)
Withstanding voltage	750V AC (rms) 1 Minute (USB 1.0) 500V AC (rms) 1 Minute (USB 2.0)
Insulation resistance	1.000MΩ min. (500V DC)
Contact resistance	30mΩ max.

**Others**

Operating temperature	-55° C to +85° C
Processing temp. for SMT type	+230° C for 30 sec. max. +260° C for 10 sec. max.