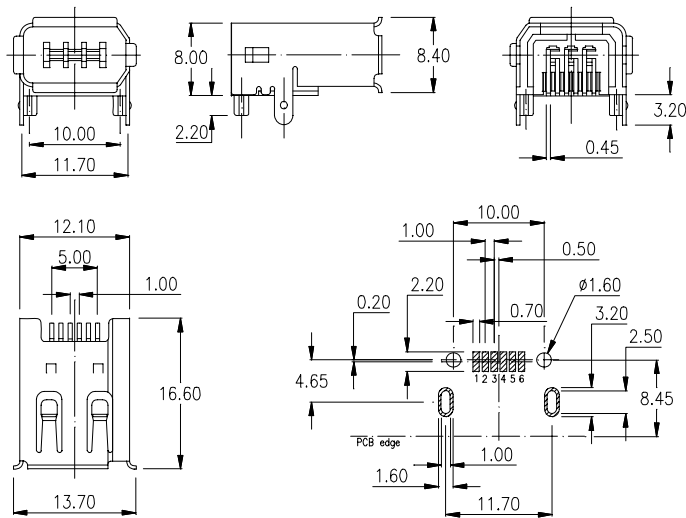


IES Series - „IEEE 1394” Connector

6 – Contact Type



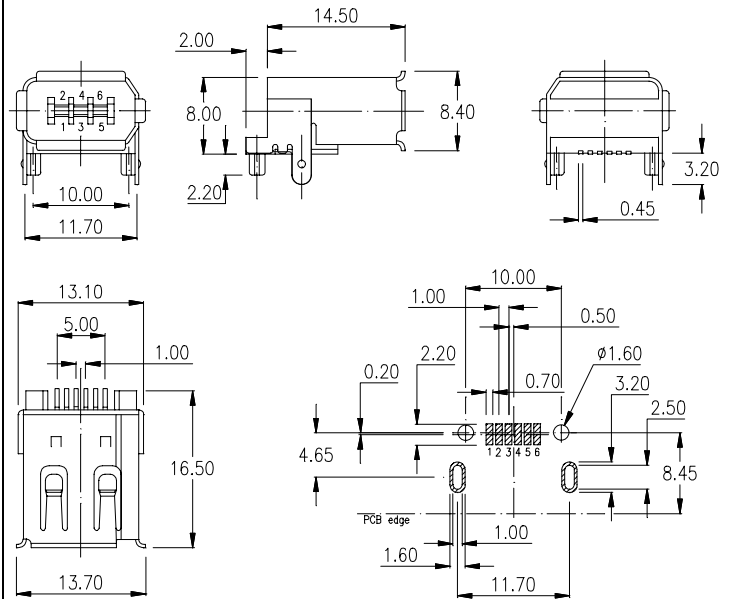
single port right angle; SMT



ORDER CODE: **IES - B06 - SI01 - 98** (- W06 - if white housing)

single port right angle; SMT

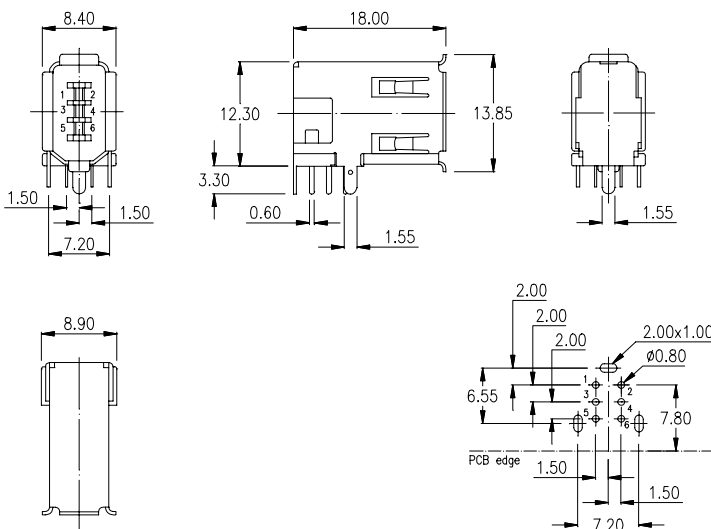
“fully shielded” Type



ORDER CODE: **IES - B06 - SIF1 - 98** (- W06 - if white housing)

single port vertical; soldertail

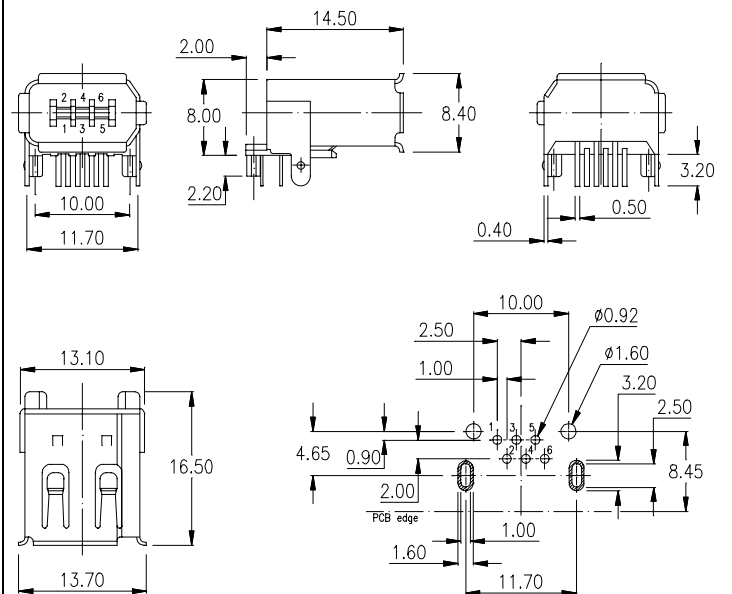
“fully shielded” Type



ORDER CODE: **IES - B06 - VIF1 - 98** (- W06 - if white housing)

single port right angle; soldertail

“fully shielded” Type



ORDER CODE: **IES - B06 - RIF1 - 98** (- W06 - if white housing)

Specification

Material

Contact	(RoHS compliant)	Phosphor bronze
Plating:		
Contact area		Au 30μ" over Ni
Solder area		Sn (leadfree)
Housing	(RoHS compliant)	PBT UL 94-V0
SMT housing	(RoHS compliant)	Nylon 9T UL 94-V0
Shell	(RoHS compliant)	brass, 80μ"-120μ" Ni plated

Mechanical

Mating cycles	1.500 min.
---------------	------------

Electrical

Current rating	1,5 A max. 1 Contact (Signal only)
Voltage rating	30V AC (rms)
Withstanding voltage	500V AC (rms) 1 Minute
Insulation resistance	100MΩ min. (500V DC)
Contact resistance	30mΩ max.

Others

Operating temperature	-30° C to +75° C
Processing temp. for SMT type	+230° C for 30 sec. max. +260° C for 10 sec. max.